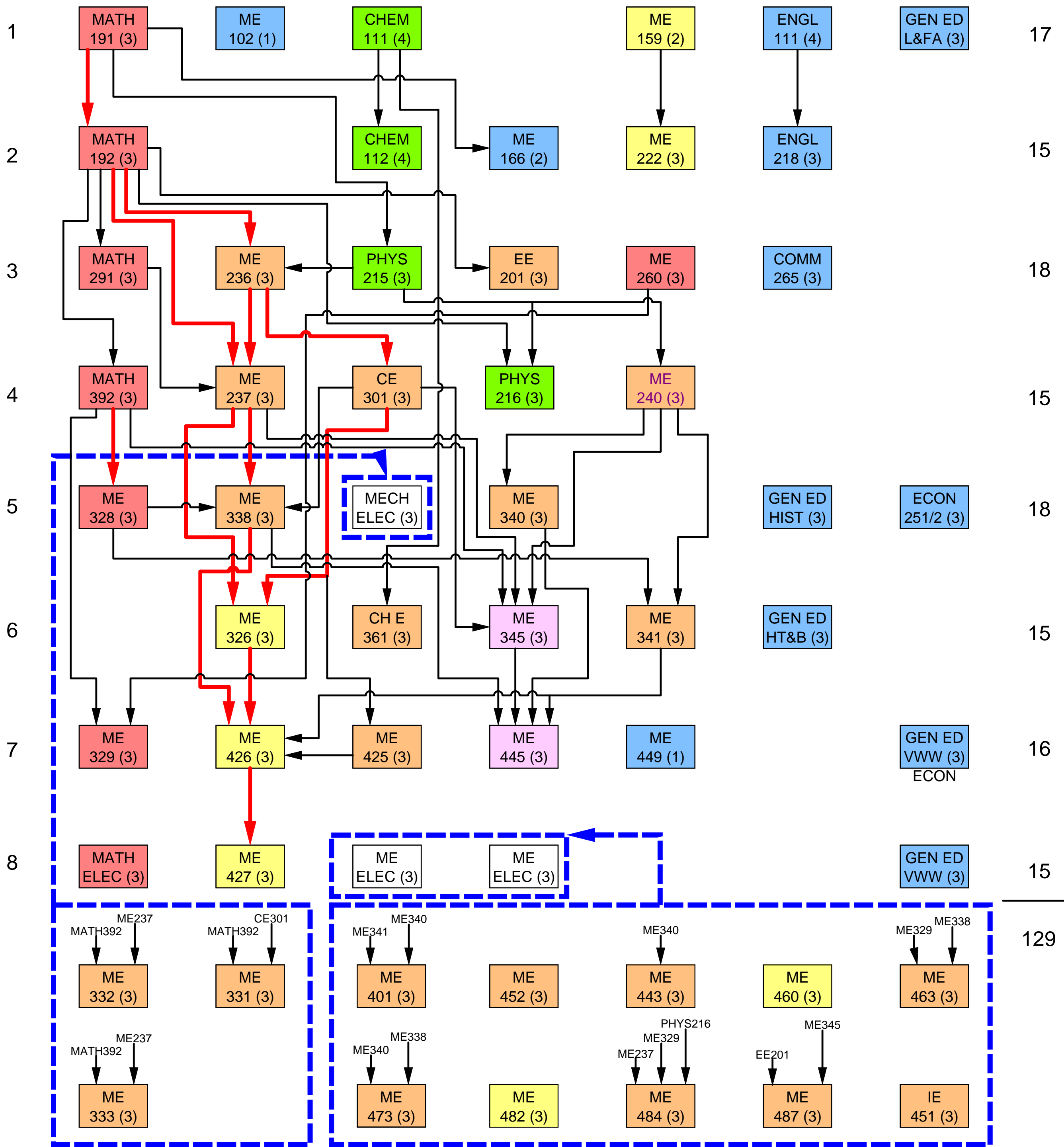


Name

ID#

Mechanical Engineering (2006-2007)

Semester Pre-Requisites Co-Requisites Critical Paths Credits



- Engineering Analysis
- Engineering Design
- Experimental Methods
- Basic Science
- Engineering Science
- General Education/Other

Final Records Check:

Department Head

Date

Dean

Date

This Flow-Chart is an advising aid. It attempts to present in a graphical form, the material contained in the printed version of the NMSU Undergraduate Catalog. Information in this Flow-Chart is NOT meant to replace information in the NMSU Undergraduate Catalog. The NMSU Undergraduate Catalog is the final authority if any discrepancies exist between the information presented here and that catalog.