

Name

ID#

Mechanical Engineering (2006-2007)

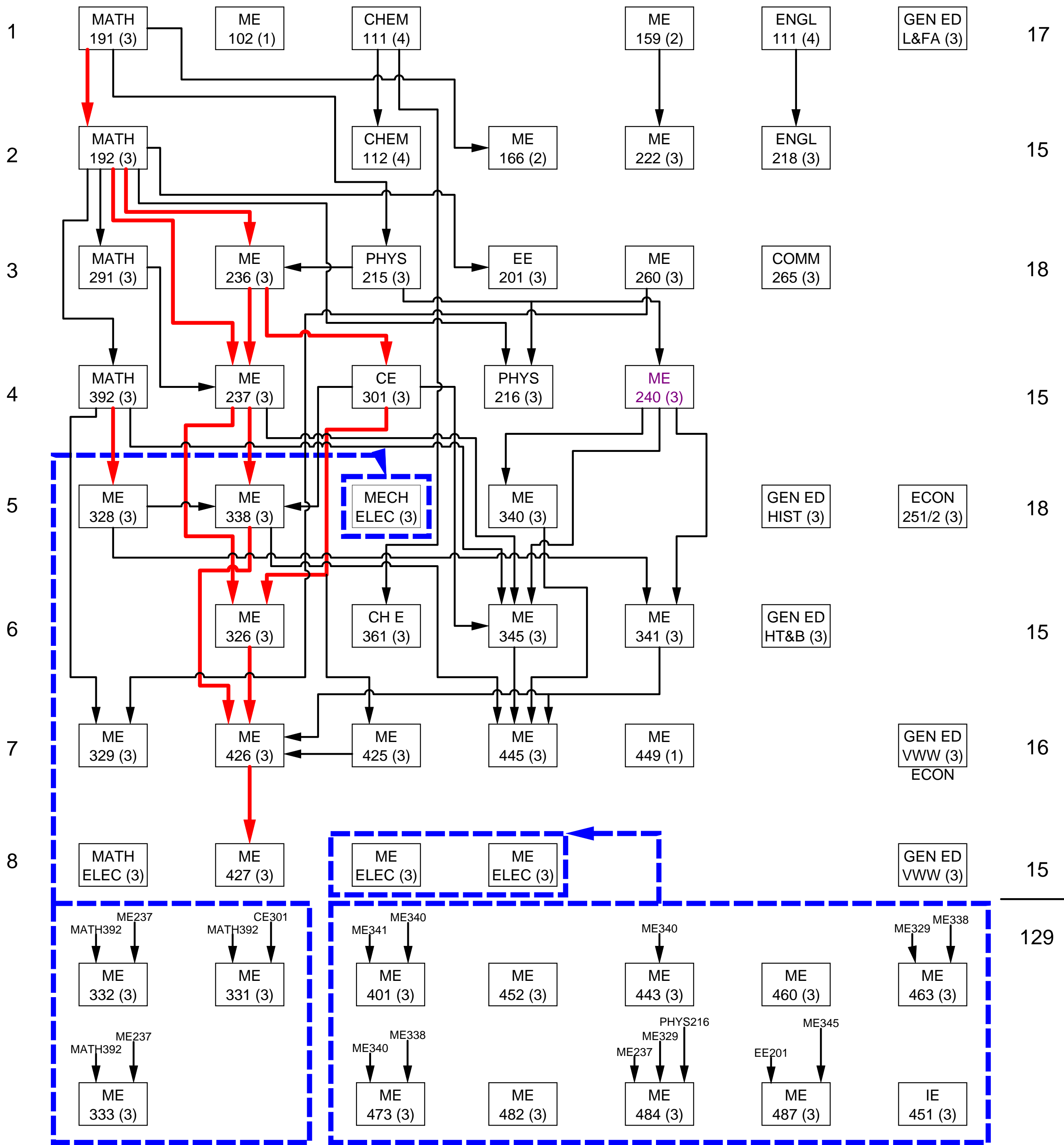
Semester

Pre-Requisites

Co-Requisites

→ Critical Paths

Credits



Final Records Check:

Department Head

Date

Dean

Date